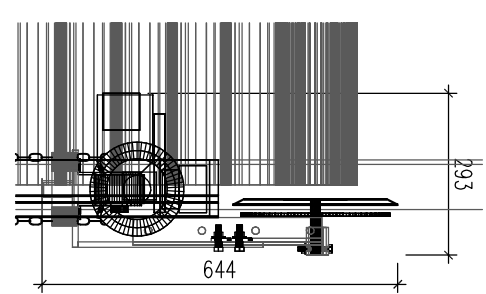
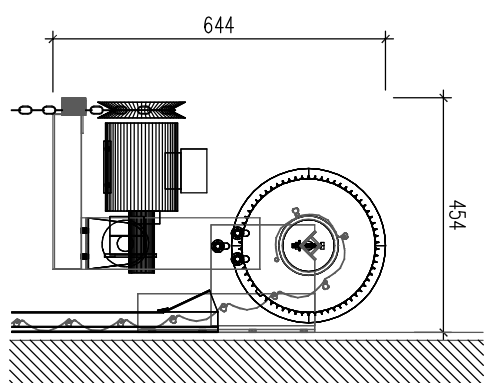
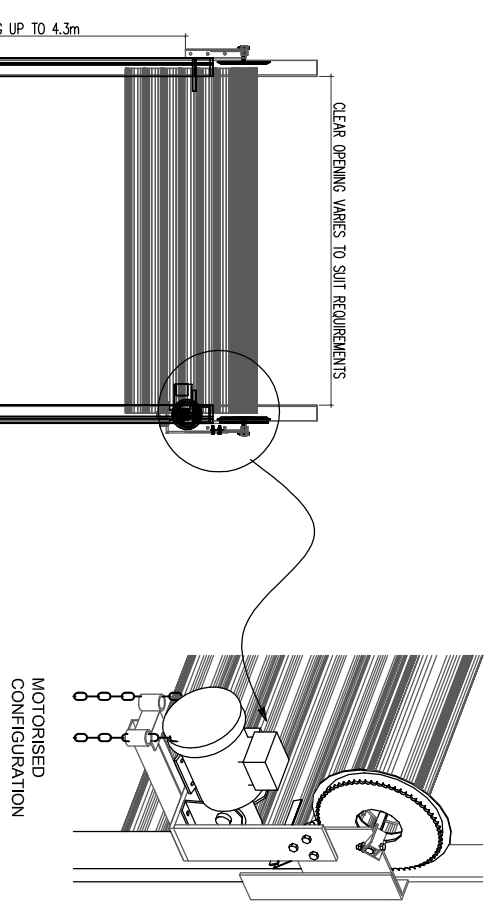


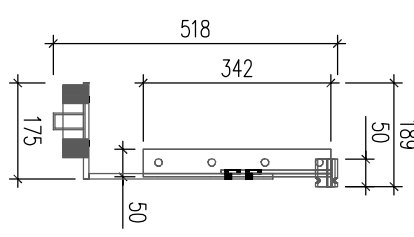
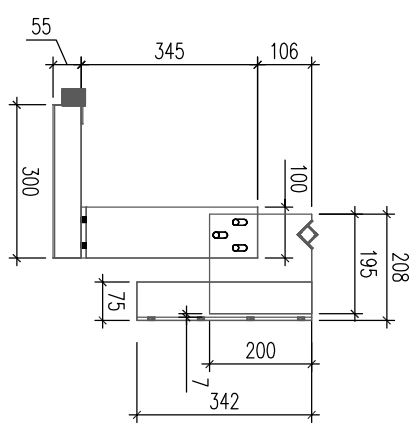
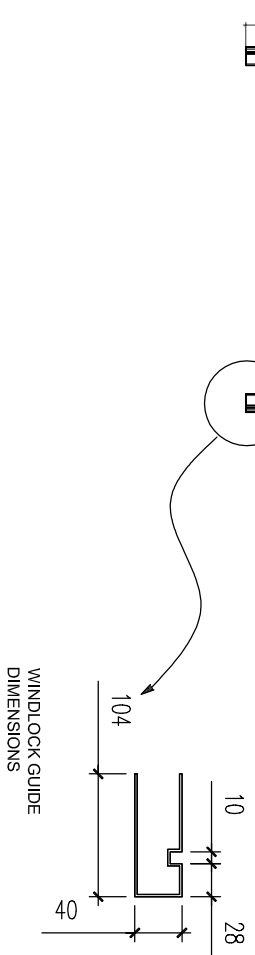
Features:

- Motorised door control gear
- Windlock door guides
- Small head plate size



OVERALL UNIT DIMENSIONS

PLATE SETOUT DIMENSIONS



FOR APPROVAL

Stevensons Doors Ltd,
 16-20 Admiral Place, Palmerston North
 Phone: 06 353 0808 - Freephone: 0800 455 566
 E-mail: info@sdlinc.com
 A Division of Stevensons Structural Engineers (1978) Ltd

REV	DESCRIPTION	DATE	BY
0	ISSUED FOR APPROVAL	30/10/08	JL

Main Road, PO Box 3,
 Tokomaru, Manawatu
 Ph: 06 329 8727, Fax: 06 329 8860
 office@sse.co.nz

CLIENT	STEVENSONS DOORS LTD
DRAWN	JL
CHECKED	
APPROVED	
SCALE	N.T.S.
SHEET	A4

PROJECT	ROLLER DOOR
TITLE	MOTORISED / WINDLOCK / SMALL
PHASE	
PROJECT NO.	857
DRAWING NUMBER	
REV	0