

- Features:
- Manual door control gear (chain pull system)
- Windlock door guides
- Small head plate size



OVERALL UNIT DIMENSIONS

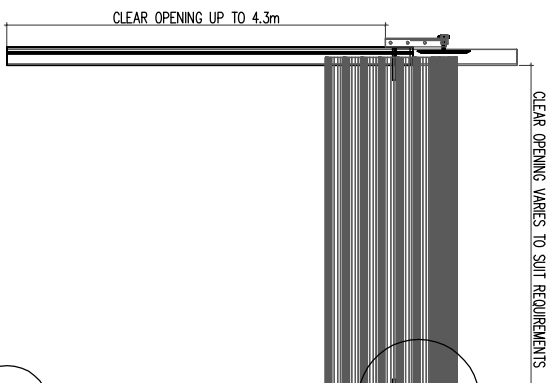
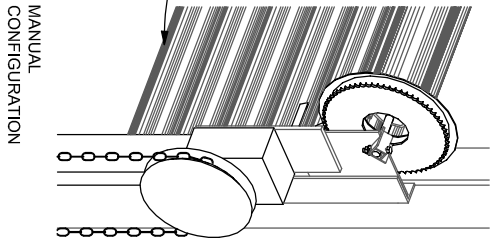
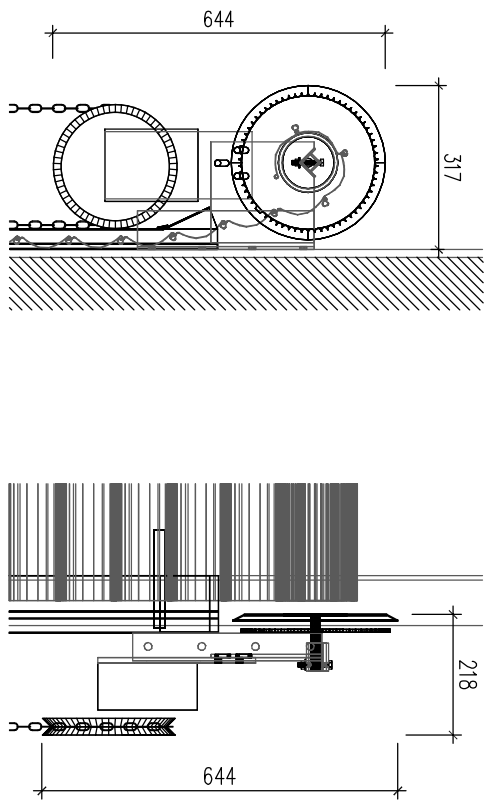
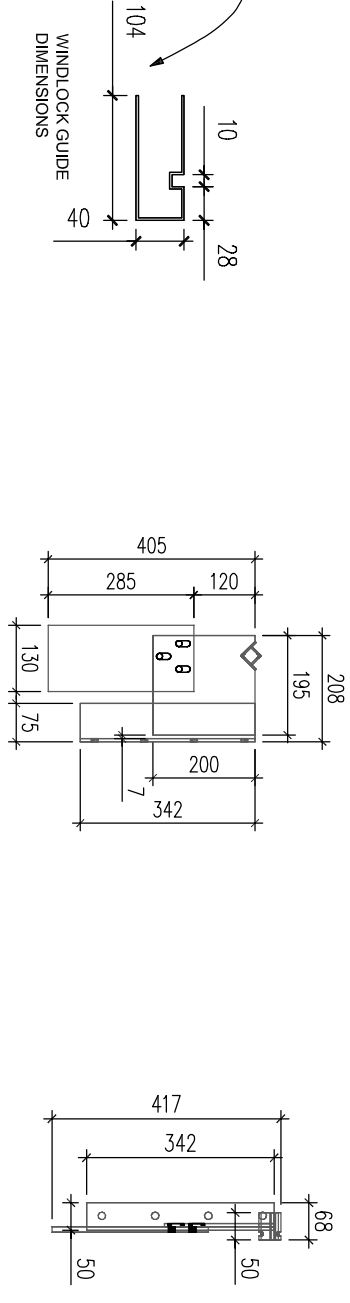


PLATE SETOUT DIMENSIONS



FOR APPROVAL

Stevensons Doors Ltd,
 16-20 Admiral Place, Palmerston North
 Phone: 06 353 0808 - Freephone: 0800 455 566
 E-mail: info@sdlz.com
 A Division of Stevensons Structural Engineers (1978) Ltd

REV	DESCRIPTION	DATE	BY
0	ISSUED FOR APPROVAL	30/10/08	JL

Main Road, PO Box 3,
 Tokomaru, Manawatu
 Ph: 06 329 8727, Fax: 06 329 8860
 office@sse.co.nz

CLIENT		PROJECT	
STEVENSONS DOORS LTD		ROLLER DOOR	
DRAWN		TITLE	
JL	30/10/08	MANUAL / WINDLOCK / SMALL	
CHECKED		PHASE	
APPROVED		PROJECT NO. 857	
SCALE		DRAWING NUMBER	
N.T.S.	SHEET 44	REV 0	